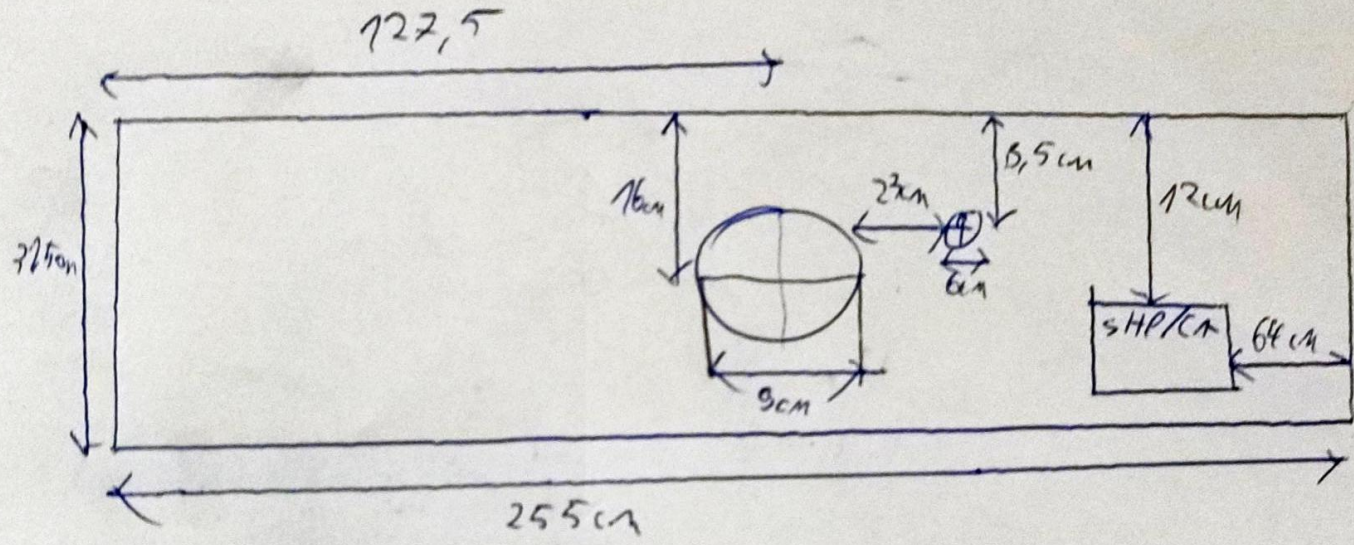


$$a = 4 \text{ cm}$$

$$b = 5 \text{ cm}$$

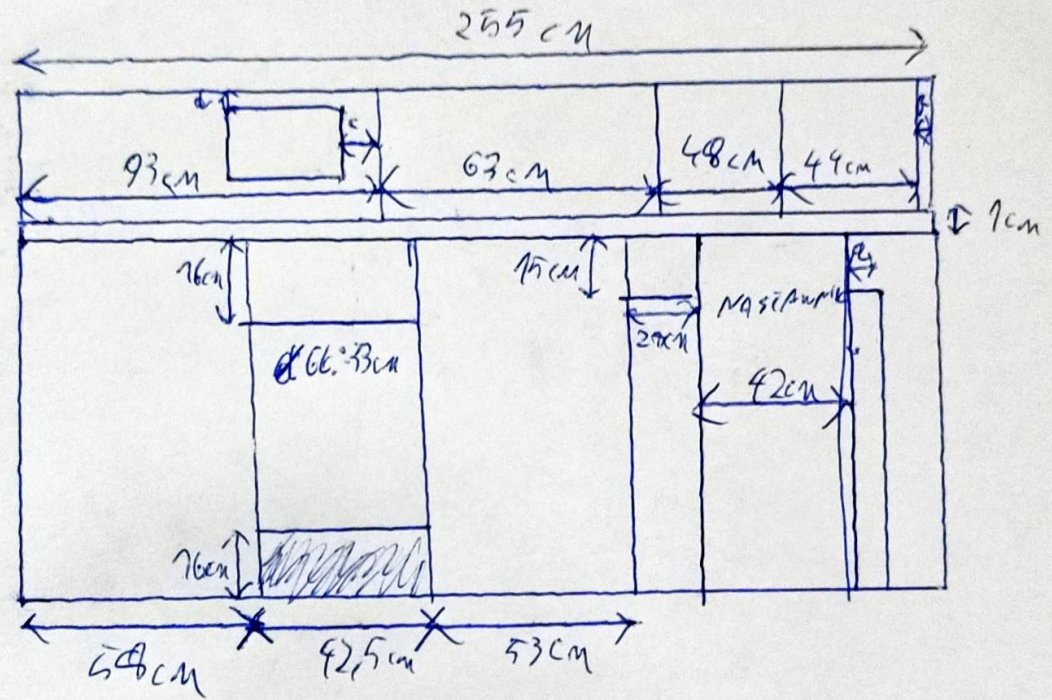
НАКЛАДКА  
 НА  
 НАСТАВНИК





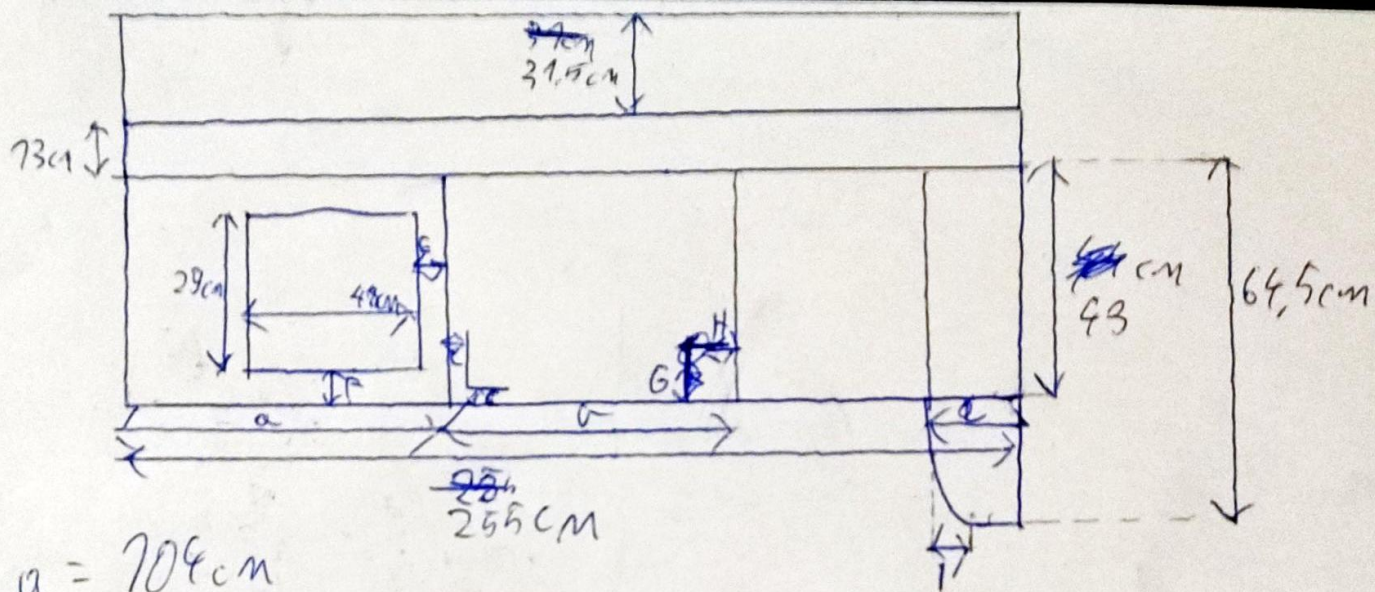


$a = 16 \text{ cm}$   
 $b = 10 \text{ cm}$   
 $c = 5,5 \text{ cm}$   
 $d = 4 \text{ cm}$



RZUT PRZEDMI





$$a = 704 \text{ cm}$$

$$b = 77 \text{ cm}$$

$$c = 4 \text{ cm}$$

$$d = 36,5 \text{ cm}$$

$$E = 3,5 \text{ cm}$$

$$F = 8 \text{ cm}$$

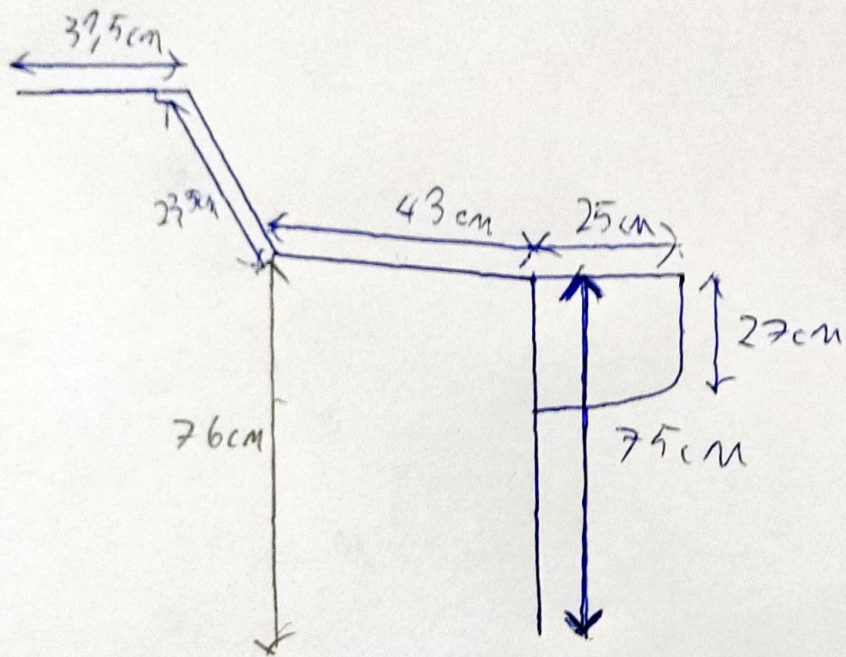
$$G = 72 \text{ cm}$$

$$H = 7 \text{ cm}$$

$$I = 14 \text{ cm}$$

RZVT GÖRNY





RZUT BOCZNY